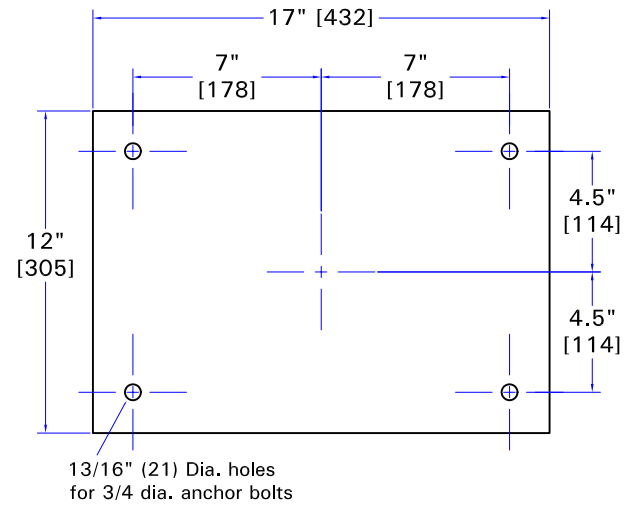
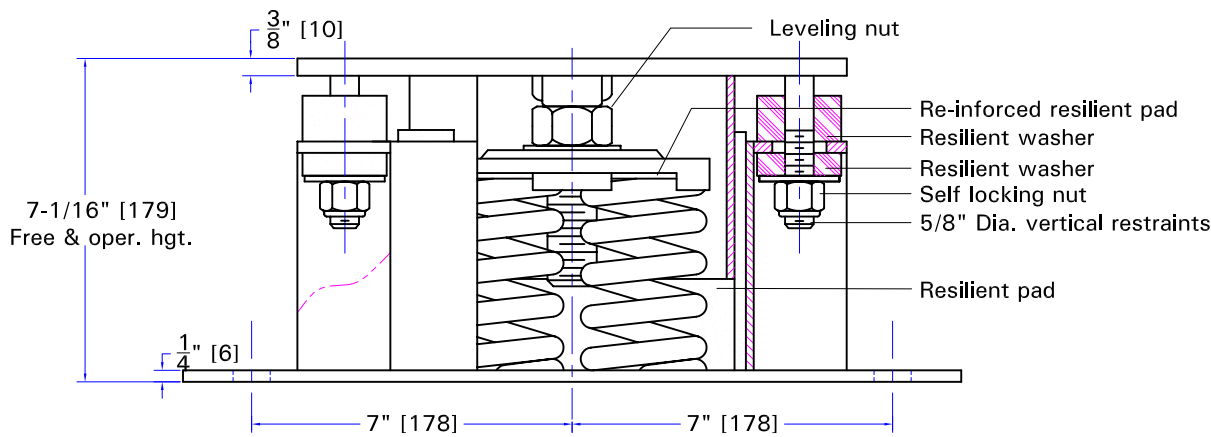


Type	Color of Spring	Spring Rate lb./in.	Max. Load in lbs.	Defl. in inches
634-A4	Gray	400	600	1.5
634-B4	Tan	800	1040	1.3
634-C4	Yellow	1340	1740	1.3
634-D4	Green	2000	2200	1.1
634-E4	Red	3120	3120	1.0
634-F4	Silver	4280	4280	1.0
634-G4	Brown	5600	5600	1.0
634-H4	Black	7200	7200	1.0
634-K4	Blk&Yel	10000	10000	1.0

7/8"-9 UNC Tap



Base Plate Foundation Plan

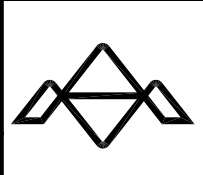
Note: All dimensions are in inches (mm).

REV	DATE	CHANGES
-----	------	---------

PURCHASER:
 ORDER NO.:
 PROJECT:
 FILE NO.:

Type "634" Spring Mount
 with Internal Leveling
 For Seismic Zone 4
 Applications

DWN BY SCALE None DATE 6-23-06



ACE MOUNTINGS CO., INC.

DWG NO. 98A-1199-13 REV