



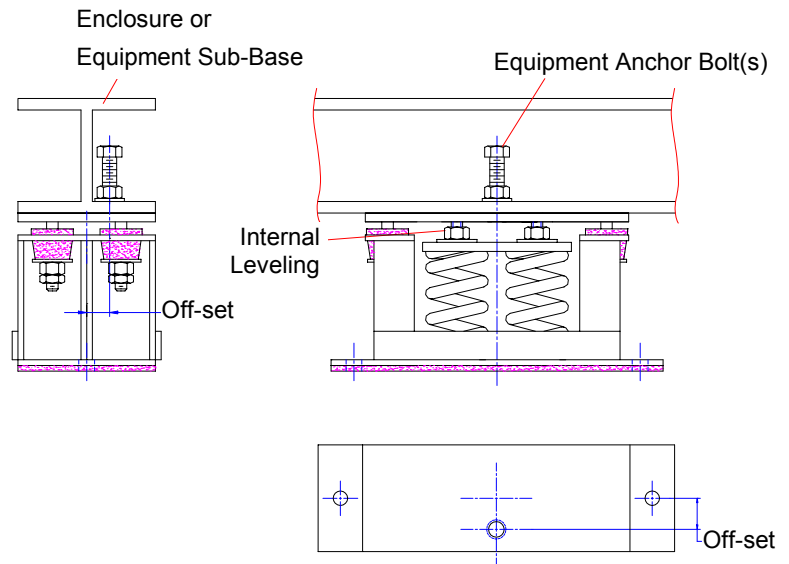
Installation Arrangement Guide

for Spring Isolators and Structural Steel Bases

CATALOG NO. 2KA-1347-A

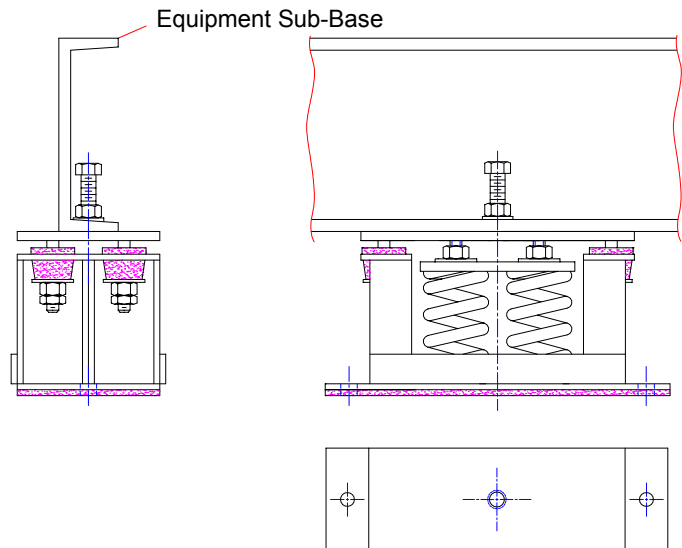
A. "W" Shape Base

Off-set for equipment anchor bolt is required for centered load on spring isolator.



B. "C" Shape Base

No off-set for equipment anchor bolt, internal or external leveling can be provided for spring isolator.



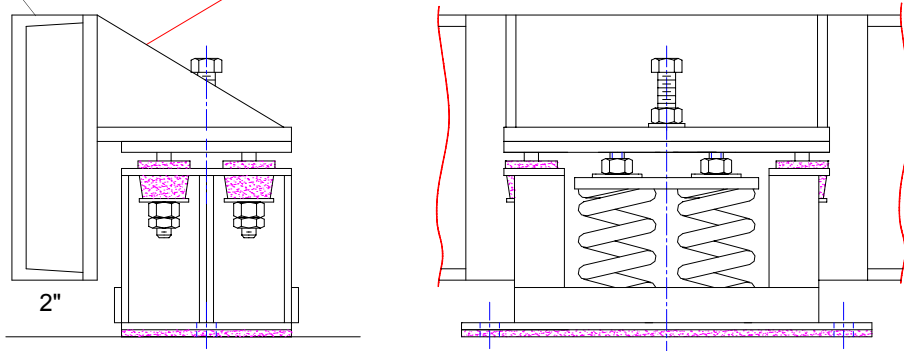
ACE MOUNTINGS CO., INC.

11 Cross Avenue
 South Amboy, NJ 08879
 Tel: (732)721-6200 Fax: (732)721-5005
 Email: acemount@worldnet.att.net
 Website: www.acemount.com

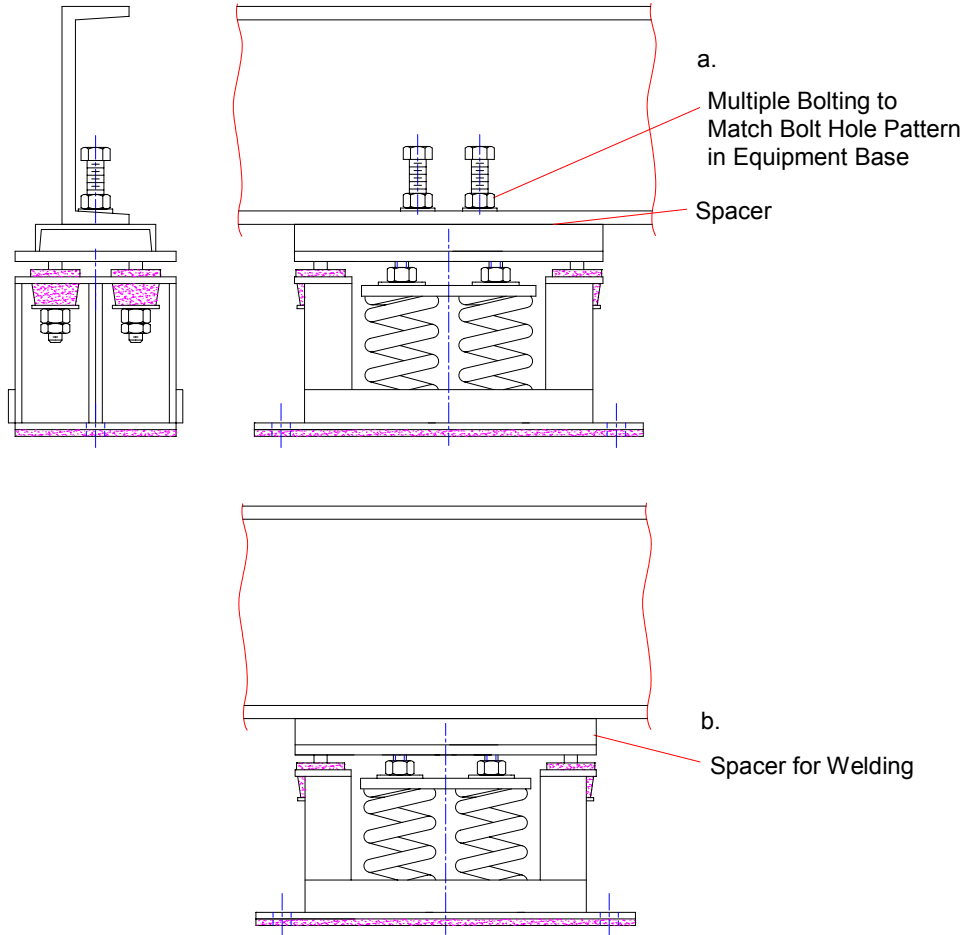
C. Height-Saving Bracket

Equipment Sub-Base

Height-Saving Bracket



D. Custom Mounting Arrangement



ACE MOUNTINGS CO., INC.

11 Cross Avenue
South Amboy, NJ 08879
Tel: (732)721-6200 Fax: (732)721-5005
Email: acemount@worldnet.att.net
Website: www.acemount.com