

FR Models

Vertical Core / Skid Mount / Fan-On-Radiator

Genset Application

Skid mounted designs for fan-on-radiator applications. Ideal for cooling a wide range of diesel or gas engine powered gensets from 400 kW to 3,000 kW.

Superior Durability

High strength mechanical-bond core and exclusive O-ring tank seals provide unmatched reliability and durability.

Configurator System

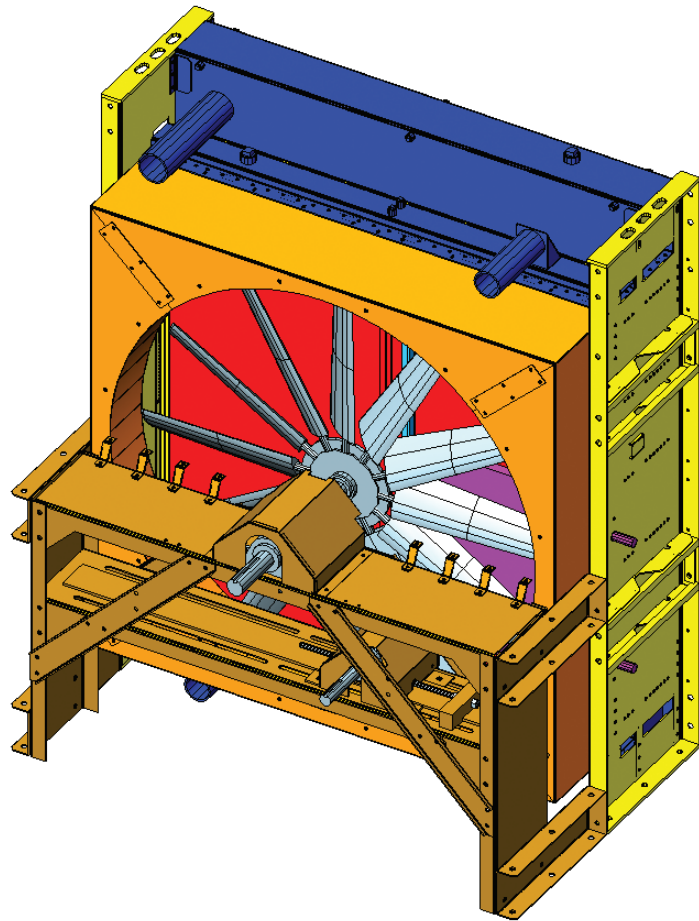
Our configurator process combines flexibility and standardization with speed. Radiator designs are optimized and assembled with pre-engineered components in short lead-times.

Product Performance

Our product line offers a wide range of core face areas, row counts, fan drives, finish coatings and structural options. These radiators perform in the most difficult generator set installations and environments.

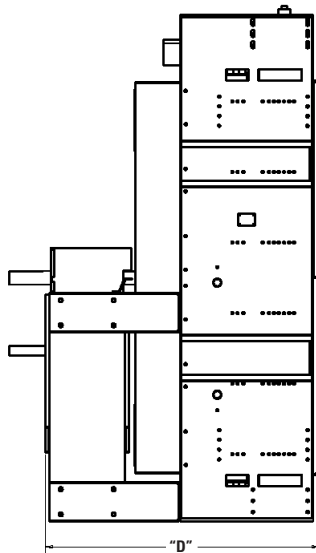
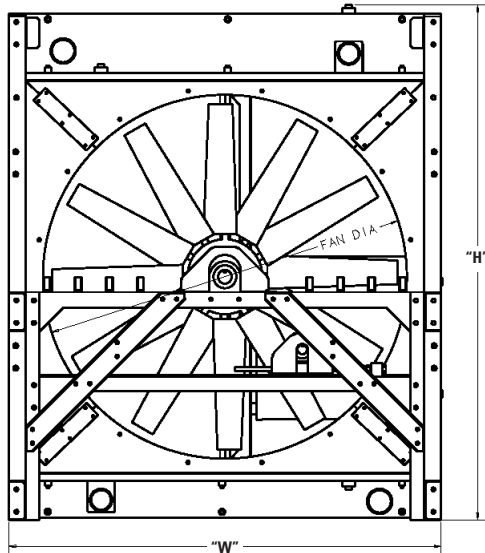
Technology

We developed the industry's leading application engineering software to deliver quick and accurate cooling solutions. Lean manufacturing principles eliminate waste, improve quality and reduce cost.



FR Models

Vertical Core / Skid Mount / Fan-On-Radiator



FR Models Technical Data Table

Model	Max. W (in)	Max. H (in)	Max. D (in)	Max. Weight (lbs)	Max. Volume (gal)	Max. Fan Dia. (in)
04	34	47	55	992	18	24
06	39	50	55	1,123	23	27
08	42	55	55	1,254	26	32
10	47	59	55	1,418	31	36
12	50	63	55	1,720	36	40
15	55	67	55	1,913	41	44
19	61	74	55	2,182	50	48
24	67	80	55	2,476	58	54
28	72	89	55	2,816	72	60
32	77	93	55	3,067	80	64
36	81	98	55	3,301	89	68
40	85	102	57	3,528	95	72
44	90	103	57	3,735	100	76
50	94	111	59	4,314	112	80
56	101	113	59	4,679	121	84
60	101	121	59	4,903	131	88
64	105	123	59	5,122	138	92
73	114	127	59	5,639	150	96
94	129	142	59	8,106	168	108

For additional information about our products, please contact Young Touchstone or your local Young Touchstone sales representative.



2825 Four Mile Road, Racine, WI 53404-1005 • Phone: 262.639.1010 • Fax: 262.639.1013