

VB Models

Vertical Core / Remote Mount / Motor Driven Fan

Genset Application

Remote mounted, vertical core radiator designs with fan and electric motor. Ideal for cooling a wide range of diesel or gas engine powered gensets from 400 kW to 3,000 kW.

Superior Durability

High strength mechanical-bond core and exclusive O-ring tank seals provide unmatched reliability and durability.

Configurator System

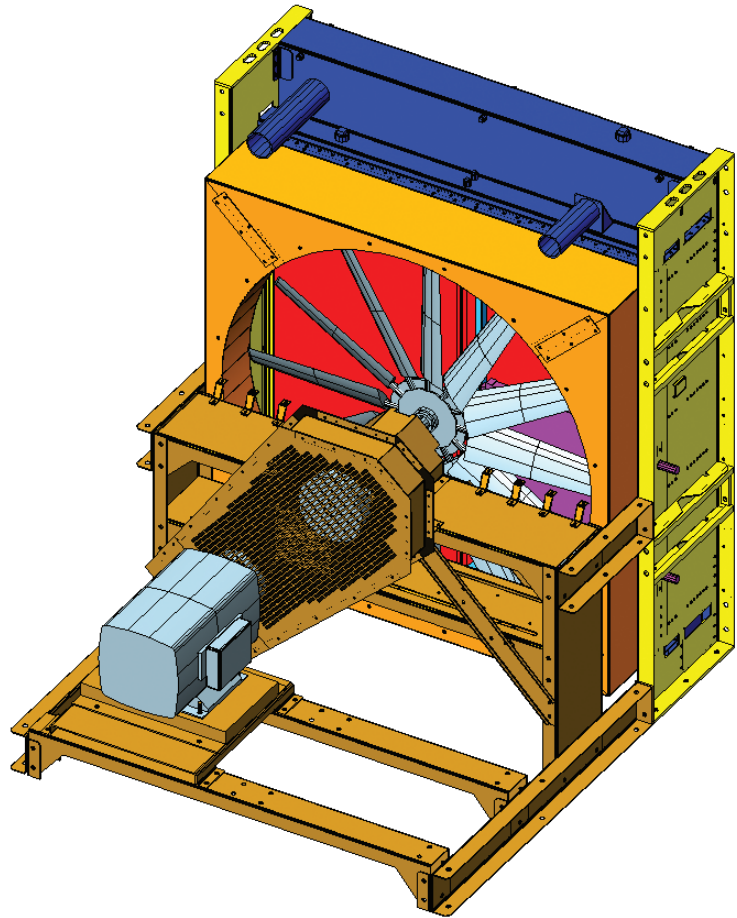
Our configurator process combines flexibility and standardization with speed. Radiator designs are optimized and assembled with pre-engineered components in short lead-times.

Product Performance

Our product line offers a wide range of core face areas, row counts, fan drives, finish coatings and structural options. These radiators perform in the most difficult generator set installations and environments.

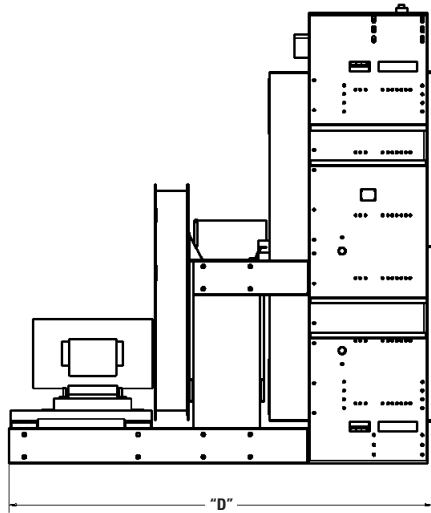
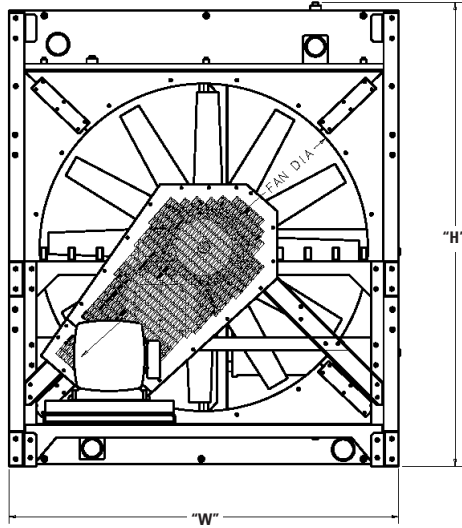
Technology

We developed the industry's leading application engineering software to deliver quick and accurate cooling solutions. Lean manufacturing principles eliminate waste, improve quality and reduce cost.



VB Models

Vertical Core / Remote Mount / Motor Driven Fan



VB Models Technical Data Table

Model	Max. W (in)	Max. H (in)	Max. D (in)	Max. Weight (lbs)	Max. Volume (gal)	Max. Fan Dia. (in)
24	67	80	84	3,638	58	54
28	72	89	84	3,989	72	60
32	77	93	85	4,323	80	64
36	81	98	85	4,569	89	68
40	85	102	89	4,797	95	72
44	90	103	89	5,022	100	76
50	94	111	91	6,091	112	80
56	101	113	91	6,478	121	84
60	101	121	91	6,729	131	88
64	105	123	91	6,951	138	92
73	114	127	91	7,483	150	96
94	129	142	97	10,275	168	108

For additional information about our products, please contact Young Touchstone or your local Young Touchstone sales representative.



2825 Four Mile Road, Racine, WI 53404-1005 • Phone: 262.639.1010 • Fax: 262.639.1013